



# OTs-126

INSTRUCTION MANUAL



[www.modify-tech.com](http://www.modify-tech.com)



# Notice and Warning



DO NOT use recycled or low-quality BBs to avoid clogging and damage to barrel.



DO NOT use high-pressure (kg-rated) gas tanks to avoid damage to gun parts.



NEVER aim guns at people.



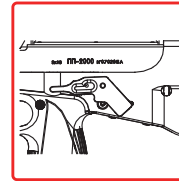
DO NOT shoot small animals.



DO NOT look into barrels.



Never disassemble or modify the airsoft gun it may cause the trouble and dangerous.



ALWAYS make sure safety is ON when not using guns.



ALWAYS carry guns in cases to avoid risky open carry.

## ⚠ WARNING! ⚠

**+18** | NOT A TOY. USER RESTRICTED TO 18 YEARS OF AGE OR OLDER.

 | ALWAYS KEEP THE AIRSOFT GUN POINTED IN A SAFE DIRECTION. THIS AIRSOFT GUN MAY CAUSE SERIOUS INJURY IF MISUSED OR MISHANDLED.

 | ALWAYS READ THROUGH ALL INSTRUCTIONS BEFORE USING.

 | THE PURCHASER AND USER SHOULD CONFORM TO ALL LAWS GOVERNING OWNERSHIP, TRANSPORT AND USE OF AIRSOFT GUNS.



More instruction manual



Propellant Type	OTs-126 Gas version	
Weight (without mag)	2 kg	
Length	840 mm / 930 mm	
Inner Barrel Length	460 mm	
Inner Barrel Diameter	6.03 mm	
Hop-up	TDC adjustment	
Magazine Capacity	22 rds	
Caliber	6 mm BB	
Velocity	High	440 fps (135 m/s)
	Normal	380 fps (115 m/s)
	Low	295 fps (90 m/s)
Muzzle energy output with 0.2g BB for Japan CO2 version is under 0.98 Joule.		
Operating Temperature	20~25°C 68~77°F	

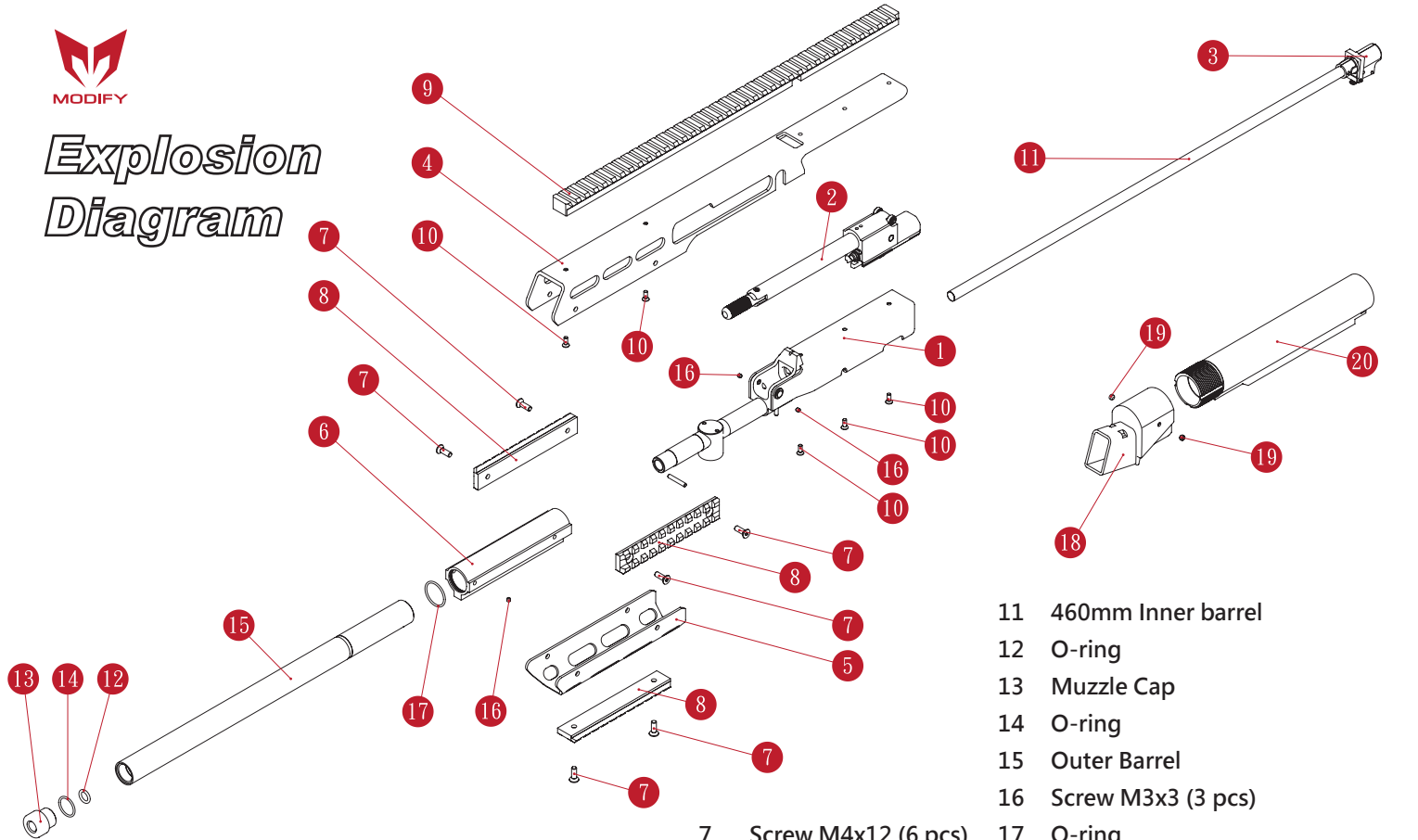
## Assembly Steps

**Scan a QR-code to view**





# Explosion Diagram



1 Upper Receiver Group

2 Bolt carrier-Charging handle set (M2.0)

3 Hop-Up set (65° X-range)

4 Upper Handguard

5 Lower Handguard

6 Outer Barrel Spacer

7 Screw M4x12 (6 pcs)

8 Short Picatinny Rail

9 Long Picatinny Rail

10 Screw M3x8 (5 pcs)

11 460mm Inner barrel

12 O-ring

13 Muzzle Cap

14 O-ring

15 Outer Barrel

16 Screw M3x3 (3 pcs)

17 O-ring

18 Stock Adaptor

19 Screw (2 pcs)

20 Buffer tube (with rail and screws)



# OTS-126

INSTRUCTION MANUAL  
中文版使用說明書



[www.modify-tech.com](http://www.modify-tech.com)



## 警告與注意事項



DO NOT use recycled or low-quality BBs to avoid clogging and damage to barrel.



DO NOT use high-pressure (kg-rated) gas tanks to avoid damage to gun parts.



NEVER aim guns at people.



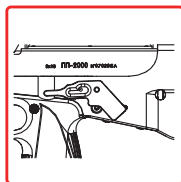
DO NOT shoot small animals.



DO NOT look into barrels.



Never disassemble or modify the airsoft gun it may cause the trouble and dangerous.



ALWAYS make sure safety is ON when not using guns.



ALWAYS carry guns in cases to avoid risky open carry.

### ⚠ WARNING! ⚠

**+18** | 未滿18歲禁止購買，12歲以上需家長陪同。

 | 請隨時保持槍口安全方向，若造成傷害請自行負責。

 | 使用前請詳細閱讀說明書。

 | 運輸和使用玩具槍應遵守所有相關法律責任。



更多使用說明



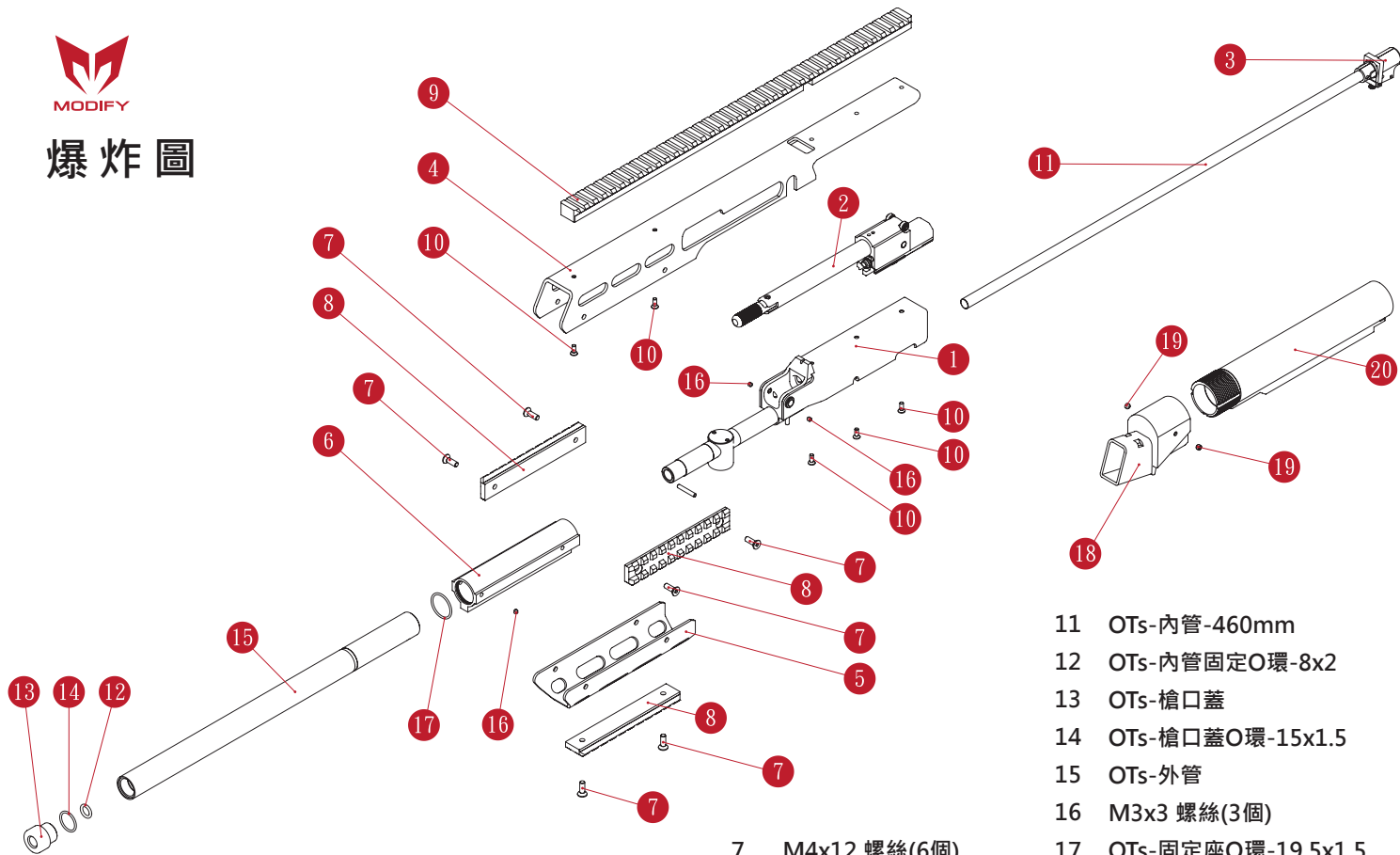
彈匣氣體類型	OTs-126 瓦斯版本	
重量 (不含彈匣)	2 公斤	
長度	840 mm / 930 mm	
內管長度	460 mm	
內管管徑	6.03 mm	
Hop-up	TDC 調節桿	
彈匣容量	22 發	
彈藥種類	6 mm BB	
槍口初速	高速	440 fps (135 m/s)
	一般	380 fps (115 m/s)
	低速	295 fps (90 m/s)
日本CO2版在使用0.2g BB彈情況下，槍口動能小於0.98焦耳。		
建議操作溫度	20~25°C 68~77°F	

組裝步驟 (請掃QR-code查看) —————●





# 爆炸圖



1 上槍身組合

2 槍機-拉柄組 (M2.0)

3 HOP組合 (65° X-range)

4 OTs-上護木

5 OTs-下護木

6 OTs-外管固定座

7 M4x12 螺絲(6個)

8 OTs-短鏡軌(3個)

9 OTs-長鏡軌

10 M3x8 螺絲(5個)

11 OTs-內管-460mm

12 OTs-內管固定O環-8x2

13 OTs-槍口蓋

14 OTs-槍口蓋O環-15x1.5

15 OTs-外管

16 M3x3 螺絲(3個)

17 OTs-固定座O環-19.5x1.5

18 後托轉接座

19 後托管固定螺絲(2個)

20 後托管組(含軌道及螺絲)